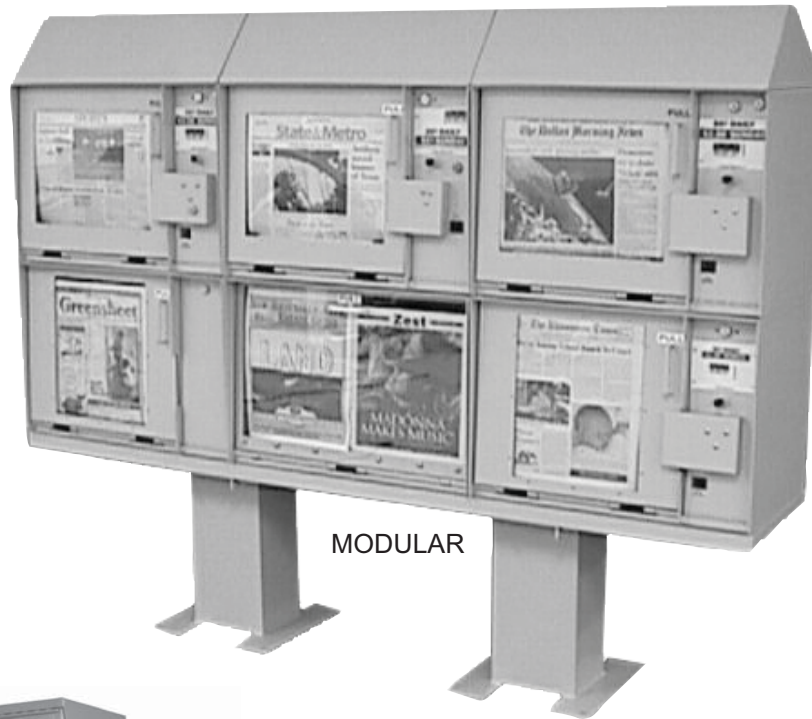


NEWSPAPER RACK PARTS LIST

1-1-2017



MODULAR



MODEL 80



C91 ECONOMY

WE HAVE REPLACEMENT PARTS FOR MOST MODELS OF NEWSRACKS

STEEL CITY CORPORATION

1000 HEDSTROM DRIVE
ASHLAND, OHIO 44805
PHONE: (330) 792-7663



FAX: (330) 797-2947
E-MAIL: circsupply@scity.com
WEB-SITE: www.scity.com

TOLL FREE: 1-800-321-0350

"From the Basics to the Innovative"

HARDWARE - BOLTS & NUTS


<u>PART NO.</u>	<u>DESCRIPTION</u>
B1A-S	5-40 x 3/8" RH UNSLOTTED BOLT (stainless)
B1B-S	5-40 x 1/2" RH UNSLOTTED BOLT (stainless)
B3	6-32 x 5/16" RH BOLT
B3R	6-32 x 1/2" RH BOLT
B3FH	6-32 x 1/2" FH BOLT
B20	8-32 x 3/8" RH BOLT
B6	8-32 x 1/2" RH BOLT
B22	8-32 x 2" RH BOLT
CM-100-79	8-32 x 2-1/4" RH BOLT
B9	10-24 x 1/4" RH BOLT
CM-90-57	10-24 x 1/4" RH BOLT w/ #10 STAR WASHER
B66	10-24 x 1/2" RH SLOTTED BOLT
B11	10-24 x 1/2" CARRIAGE BOLT (plated)
T859	10-24 x 1/2" CARRIAGE BOLT w/ NYLON INSERT NUT (plated)
B11-S	10-24 x 1/2" CARRIAGE BOLT (stainless)
B12A	10-32 x 3/8" RH SLOTTED BOLT
B13	1/4" x 1/2" HEX BOLT
B55	1/4" x 1/2" PEM SELF CLINCH BOLT(plated) .. Used on housing hinge w/ 1/4" Kep Nut.
B13-1	1/4" x 3/4" HEX BOLT
B14	1/4" x 1-1/4" RH BOLT
B30	1/4" x 1-1/2" RH BOLT
B60	5/16" x 3/4" HEX BOLT
B61	5/16" x 1-1/2" LEVELING BOLT
CM-90-57-1	#8 x 1/2" TAP SCREW w/ #10 WASHER
CM-100-71-1	#6 EXTERNAL LOCK WASHER
W8	#8 EXTERNAL LOCK WASHER
W3	#10 STAR WASHER
25 SW	1/4" EXTERNAL LOCK WASHER
CP1	1/8" x 1" COTTER PIN
HP1	1-5/8" HAIR PIN COTTER PIN

<u>PART NO.</u>	<u>DESCRIPTION</u>
N1H	5-40 HEX NUT
N3K	6-32 KEP NUT
N3N	6-32 NYLON INSERT NUT
N20K	8-32 KEP NUT
N5N	8-32 NYLON INSERT NUT
N8H	10-24 HEX NUT
N8K	10-24 KEP NUT
N8N	10-24 NYLON INSERT NUT
N10H	10-32 HEX NUT
N10K	10-32 KEP NUT
N12K	1/4" KEP NUT
N11N	1/4" NYLON INSERT NUT
N60H	5/16" HEX NUT
PR-3A	1/8" ALUMINUM POP RIVETS
PR-3S	1/8" STEEL POP RIVETS
PR-4A	3/16" ALUMINUM POP RIVET
PR-4Z	3/16" ZINC PLATED POP RIVET
N21	NUT FOR INSTALLING NATIONAL LOCK
SW1	LOCK WASHER FOR ATTACHING NATIONAL LOCK CAM
B22-A	BOLT FOR ATTACHING NATIONAL LOCK CAM (10-32 x 3/16")
CAM-1	NATIONAL LOCK CAM ONLY
CAM-2	CHICAGO LOCK CAM ONLY
N80	CHICAGO LOCK NUT FOR INSTALLING CAM ..
CLIP-1	CLIP FOR INSTALLING NATIONAL LOCK
CLIP-2	CLIP FOR INSTALLING CHICAGO LOCK
CLB	BARREL FOR CHICAGO LOCK w/ NUT
SR-515	K - ARMORED BOLT (7/8" x 10" plated)
SR-715	TK - ARMORED BOLT (7/8" x 10" plated)
T855	M4 x 8MM PAN HEAD MACHINE SCREW
T856	M4 x 8MM FLAT HEAD MACHINE SCREW
T857	M4 x .7 KEP NUT
T857-1	M4 x .7 NYLON INSERT NUT
T 858	M4 x 10MM PAN HEAD MACHINE SCREW
M4	STAR WASHER


"E" RINGS - RETAINER RINGS

<u>PART NO.</u>	<u>DESCRIPTION</u>
CH22	1/4" RETAINER RING for Wire Lid Stop
5115-12	RETAINER RING for Wire Lift
5133-09	"E" RING for 3/32" dia. shaft
5133-12	"E" RING for 1/8" dia. shaft
5133-15	"E" RING for 5/32" dia. shaft
5133-18	"E" RING for 3/16" dia. shaft
5133-25	"E" RING for 1/4" dia. shaft
5133-50	"E" RING for 1/2" dia. shaft
5131-25	BOWED "E" RING for 1/4" dia. shaft

dispensers
.09 - .12 - .15 - .18 - .25



Truarc applicators
.09 - .12 - .15 - .18 - .25



MECHANISM PURCHASE AND REPAIR



REGULAR EXCHANGE CHARGE

REPAIR ONLY

REFURBISHED MECH PURCHASED AS A PART

NEW CLASSIC MECH PURCHASED AS A PART

REGULAR STACKER MECH WITH QUARTER GUIDE ONLY

REGULAR STACKER MECH WITH QUARTER AND DIME GUIDE



D/S LOCKOUT EXCHANGE CHARGE

DAILY/SUNDAY LOCKOUT STACKER MECH WITH QUARTER GUIDE ONLY

SPECIFY: RACK MODEL - NATIONAL OR CHICAGO CAM

DAILY/SUNDAY LOCKOUT STACKER MECH WITH QUARTER & DIME GUIDE

SPECIFY: RACK MODEL - NATIONAL OR CHICAGO CAM

- *ADD DAILY/SUNDAY LOCKOUT TO REGULAR MECH
- SPECIFY: RACK MODEL - NATIONAL OR CHICAGO CAM.....*
- WITH NATIONAL LOCK - *SPECIFY NUMBER.....*
- WITH CHICAGO LOCK - *SPECIFY NUMBER.....*
- WITH 6 QUARTER ATTACHMENT *.....*
- WITH DOLLAR COIN GUIDE *.....*

TOTALIZER MECH PRICING



STANDARD TK MECH EXCHANGE CHARGE



TOTALIZER BODIES AND COIN RETURN CUPS ARE POWDER COATED TO PREVENT RUST



REPAIR:

- STANDARD TOTALIZER MECH.....
- \$3.00 WHEEL TOTALIZER MECH
- CONVERT STANDARD TOTALIZER MECH TO QUARTERS ONLY.....

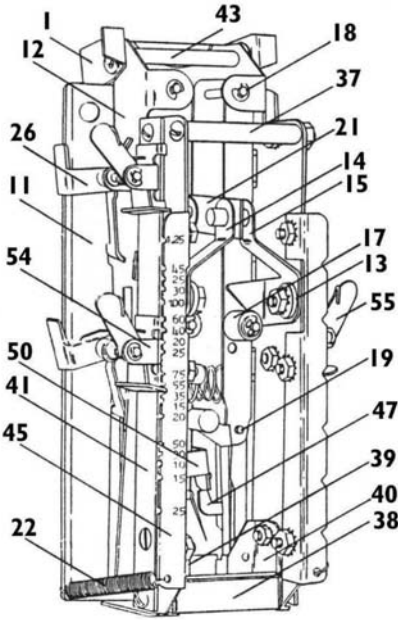
PURCHASE AS A PART:

- REFURBISHED STANDARD TOTALIZER MECH
- REFURBISHED \$3.00 TOTALIZER MECH.....
- REFURBISHED QUARTERS ONLY TOTALIZER MECH.....

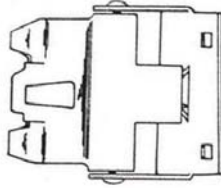
(CALL FOR \$3.00 TOTALIZER MECHS AVAILABILITY)

\$3 WHEEL TK MECH EXCHANGE CHARGE

STACKER MECHANISM



PART NO.
 CM-90-20 DOOR LATCH ASSEMBLY



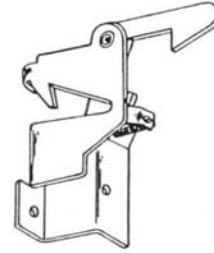
BOLTS & NUTS FOR INSTALLING DOOR LATCH
 REQUIRES 3 BOLTS & NUTS

- B66 10-24 X 1/2" RH BOLT
SLOTTED
- N8K 10-24 KEP NUT
- B11 10-24 x 1/2" CARRIAGE BOLT
UNSLOTTED (plated)
- B11-S 10-24 x 1/2" CARRIAGE BOLT
UNSLOTTED (stainless)
- N8N 10-24 NYLON INSERT NUT

PART NO.
 CM-90-30 HOOK ASSEMBLY

Includes Spring.

CM-90-19 COIN RETURN SPRING



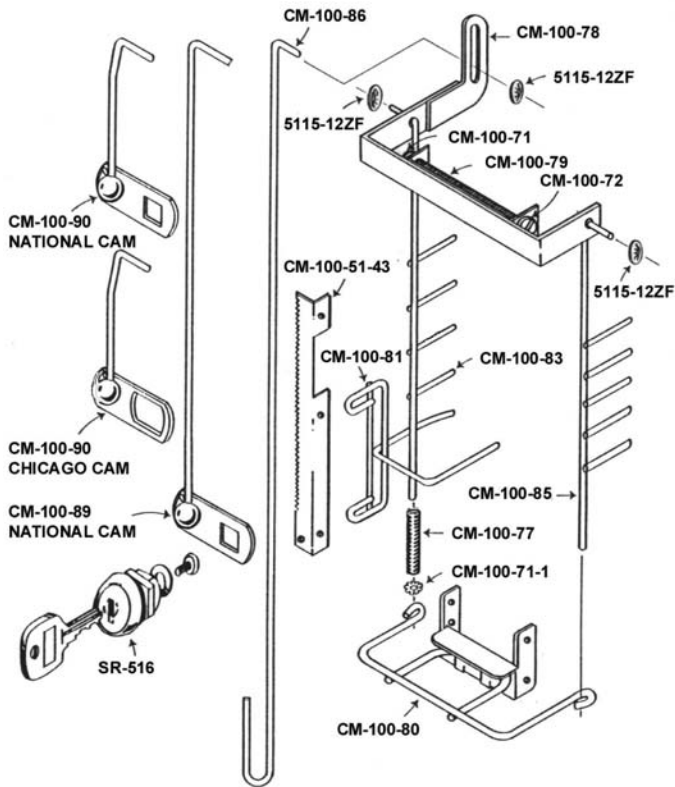
BOLTS & NUTS FOR INSTALLING ASSEMBLY

- B6 8-32 x 1/2" BOLT
- N5N 8-32 NYLON INSERT NUT

<u>PART NO.</u>	<u>DESCRIPTION</u>
1 CM-90-5-1	HOLD DOWN
CM-90-11	COIN RETURN CHUTE K-80 STYLE .
K-49-163	COIN RETURN CHUTE
CM-90-57	10-24 x 1/4" BOLT w/#10 STAR WASHER for installing coin return chute
CM-90-57-1	#8 x 1/2" TAP SCREW w/ STAR..... WASHER for installing coin return chute
11 CM-100-2	BASE PLATE
12 CM-100-3	CHANNEL
13 CM-100-3-3	BUSHING
14 CM-100-3-4	CAM CRANK-NICKEL SIDE
15 CM-100-3-5	CAM CRANK-DIME SIDE
CM-100-4	NICKEL COIN GUIDE ASSEMBLY..... SPECIFY REGULAR OR QCL
50 M-111-R	QUARTER PAWL - REG. MECH
50 M-111-Q	QUARTER PAWL QUICK CHANGE LOCKOUT MECH...
17 CM-100-4-4	ROLLER
18 CM-100-4-5	COIN GUIDE SHAFT
19 CM-100-7	ATTACHMENT RIVET
CM-100-8	ATTACHMENT PAWL SPACER.....
CM-100-11	DIME COIN GUIDE ASSEMBLY
	includes dime release.
21 CM-100-15	COIN RETURN LINK
22 CM-100-17	CHANNEL TO BASE SPRING.....
54 CM-100-19	NICKEL PRICE SETTER ASSEMBLY. SPECIFY TYPE PAWL
CM-100-19-1	PRICE SETTER BASE
26 M-100-21-1	*#2 REGULAR NICKEL PAWL..... (1-1/16")

<u>PART NO.</u>	<u>DESCRIPTION</u>
26 M-100-21-1W	*#5 REGULAR NICKEL PAWL..... ROUND WEIGHT(1-1/16")
26 M-100-21-4	*#4 DOUBLE EXTRA LONG
	PAWL (1-15/16")
26 M-100-21-G	*#3 GANSAT PAWL (1-17/32")
26 M-100-21-DM	*#1 DES MOINES PAWL (11/16")
26 M-100-21-R	*RECLIPPED PAWL (1-13/32")
55 CM-100-20	DIME PRICE SETTER ASSEMBLY.... SPECIFY REG. OR LONG PAWL
CM-100-22-1	*REGULAR DIME PAWL (1-1/16").....
CM-100-22-2	*LONG DIME PAWL (1-11/16").....
*DIMENSIONS TAKEN FROM SHAFT TO END OF PAWL INCLUDES "E" RINGS	
37 CM-100-28	UPPER CHANNEL SPACER
38 CM-100-29	BOTTOM CHANNEL SPACER
39 CM-100-30	GUIDE GUIDE-NICKEL SIDE
40 CM-100-31	GUIDE GUIDE-DIME SIDE
41 CM-100-32	PRICE SETTER GUIDE
CM-100-33	PRICE SETTER GUIDE SPACER.....
43 CM-100-38	CHANNEL TO BASE SHAFT
	(Includes "E" Ring)
CM-100-40	COIN GUIDE SPRING.....
45 CM-100-51	NICKEL INDEX ANGLE - REG. MECH
CM-100-52	DIME INDEX ANGLE
47 CM-100-61	DIME RELEASE
M-114	6 QUARTER PAWL
CM-90-19	DIME RELEASE SPRING

QUICK CHANGE LOCKOUT



PART NO.	DESCRIPTION
CM-100-71	8-32 KEP NUT
CM-100-72	ROCKER ARM BUSHING
CM-100-77	COMPRESSION SPRING.....
CM-100-71-1	#6 SUPPORT WASHER.....
CM-100-78	ROCKER ARM

PART NO.	DESCRIPTION
CM-100-79	8-32 x 2-1/4" BOLT
CM-100-80	BOTTOM CHANNEL SPACER
CM-100-81	STABILIZER.....
CM-100-83	*NICKEL SIDE LIFT.....
CM-100-85	*DIME SIDE LIFT.....
CM-100-86	*WIRE ACTUATED RACK TO..... HARNESS ROD
CM-100-87	*K-77BD LOCK TO HARNESS
CM-100-88	*K-99 & K-410 LOCK TO
CM-100-89	*C, K & S HOUSING LOCK.....
CM-100-90	*K-49, S-49, K-100 & S-100 LOCK TO
CM-100-90-1	*LOCK TO HARNESS ROD FOR K-49
CM-100-91	*K-500 LOCK TO HARNESS ROD
M-101	RIVET FOR QC LOCKOUT, CAM TO ROD
CM-100-51-43	NICKEL INDEX ANGLE w/ 43 NOTCHES
SR-516	STANDARD NATIONAL LOCK, NUT.....
SR-516K	NATIONAL KEY ONLY
5115-12ZF	RETAINER RING.....
SR-516CL	CHICAGO KEY ONLY

*INCLUDES RETAINER RINGS

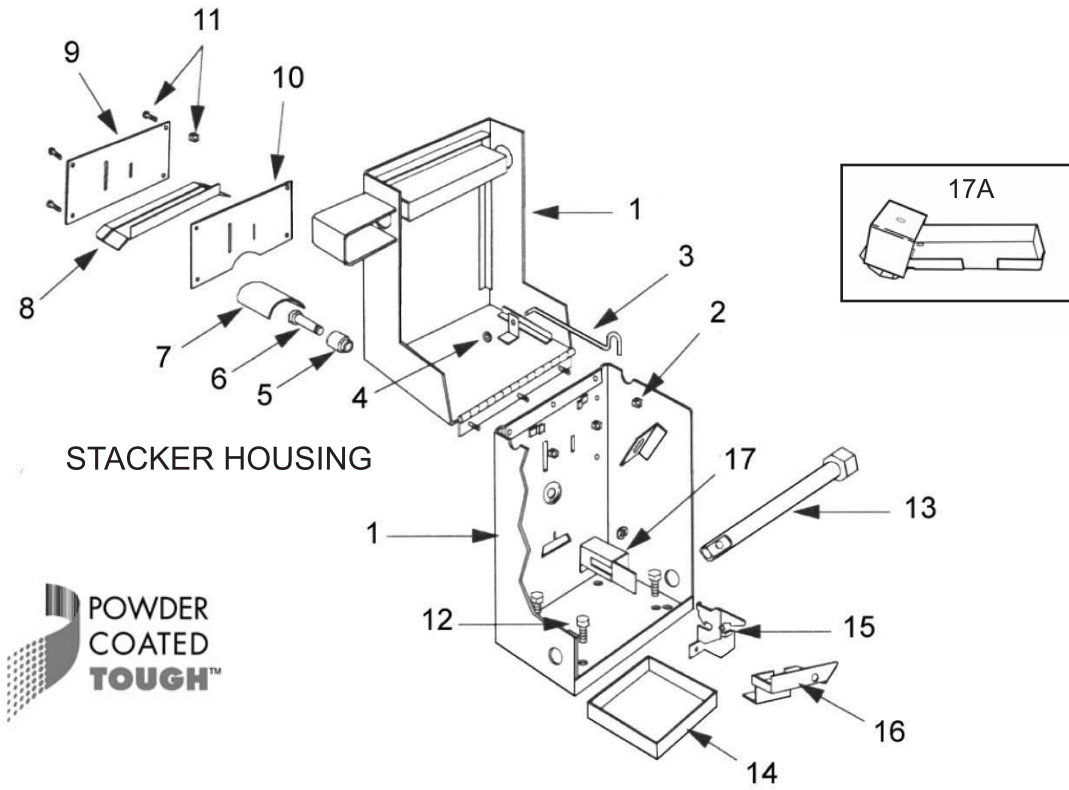
MISCELLANEOUS KASPAR® TK PARTS

PART NO.	DESCRIPTION
T77A	INDEX PAWL GUIDE STUD.....
T79	HINGE PIN.....
T80	ROLLER.....
T81	RECEIVER DOOR LINK.....
T82	ROLLER.....
T-777	DIME STOP PAWL #2.....
T779	THEFT PROOF BAFFLE.....
T809	COIN RECEIVER DOOR
T811	TOP COVER PLATE
T-812	SIDE COVER PLATE.....
T815	PRICE RANGE WHEEL
T815-T816	INDEX WHEEL SPRING
M-818	RACHET PAWL STUD. The T818 ratchet
T819-T824	EXTENSION SPRING.....
M-822	TOTALIZER ARMS STUD. The T822
M-825	LATCH STUD. The T825 latch.....
T-825	LATCH
T-830	CUSHION ARM LINK
T-839	RELEASE ARM ACTIVATOR

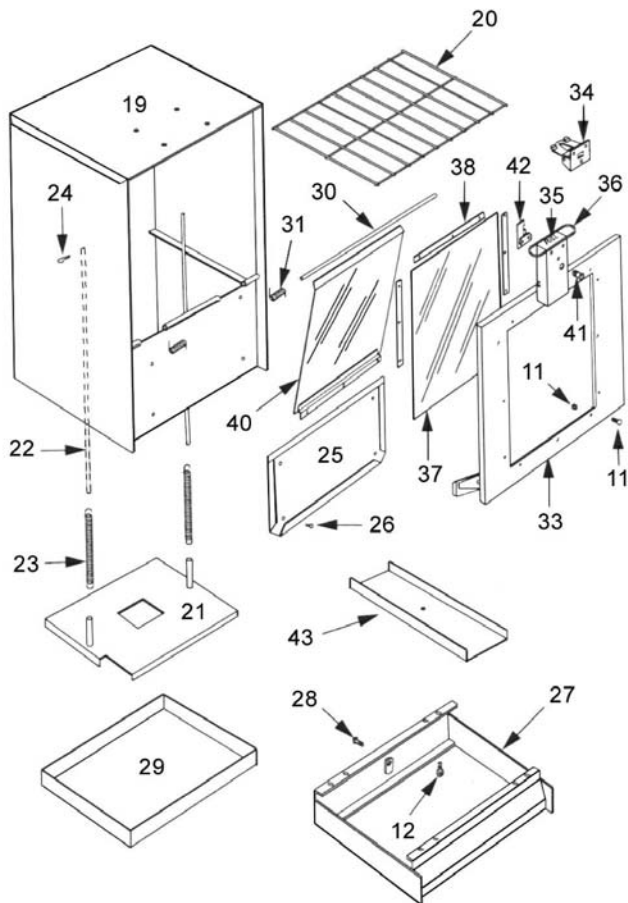
PART NO.	DESCRIPTION
T835	ROCKER ARM
T835-T840	EXTENSION SPRING
T838	ROCKER ARM CONNECTOR LINK..
T841	ROCKER ARM LINK.....
T847	DOOR HOOK
T848	PRICE RANGE WHEEL
T849	PRICE RANGE WHEEL
T850	PRICE RANGE WHEEL
T852	COIN RETURN ACTUATOR
T853	NATIONAL LOCK.....
T853-C	CHICAGO LOCK.....
T855	M4 x 8mm PAN HEAD MACHINE SCREW
T856	M4 x 8mm FLAT HEAD MACHINE SCREW
T857	M4 x .7 KEP NUT
T857-1	M4 x .7 NYLON INSERT NUT.....
T858	M4 x 10mm PAN HEAD MACHINE SCREW
T859	10-24 x 1/2 CARRIAGE BOLT & NYLON....
T-860-1	101-Q TOTALIZER ARM STOP.....
SR-200-20	COIN RETURN ACTUATOR BUSHING

80 - SERIES RACK PARTS

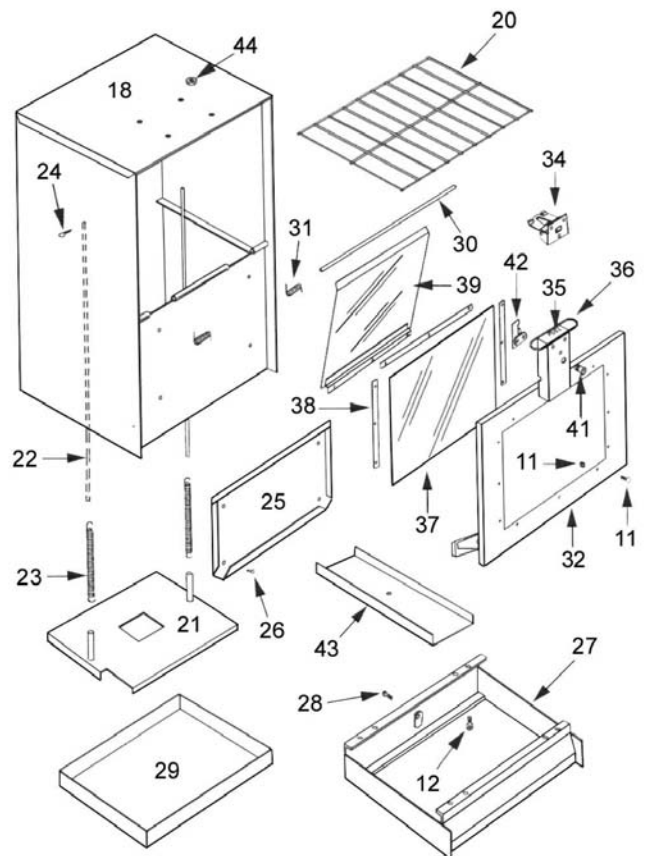
PART NO.	DESCRIPTION	PART NO.	DESCRIPTION
1 CH10	ARMORED HOUSING (unfinished)..... (powder coated)..... Includes lid stop, retainer ring and nuts.	26 PR-4A	3/16" ALUMINUM RIVET Installs cardholder.....
1 CH10B	ARMORED HOUSING body only (unfinished)....	27 80-33	CABINET BASE (unfinished)..... (powder coated).....
1 CH10L	ARMORED HOUSING lid only (unfinished).....	B61	5/16" x 1-1/2" LEVELING BOLT.....
2 N12K	1/4" KEP NUT Installs lid to body.....	28 B30	1/4" x 1-1/2" RH BOLT.....
3 CH21	WIRE LID STOP.....	29 80-34	CONCRETE WEIGHT TRAY 2-1/2" x 13" x 17-3/4"..... 2" x 13" x 18-1/2" -Kaspar®..... 2" x 13" x 16-3/4" - EB.....
4 CH22	1/4" RETAINER RING for lid stop.....	30 80-8	DOOR HINGE ROD.....
D2	COIN RETURN DECAL - Black on White.....	31 80-7	DOOR SPRING - 2 required.....
5 SR-200-20	BRASS BUSHING.....	31 80-7S	DOOR SPRING (stainless).....
SR200-20P	PUNCH TO INSTALL BUSHING TO HOUSING..	32 80-6	DOOR ONLY - 80 Broadsheet (unfinished)..... (Specify if for 50 WEB) (powder coated).....
6 SR-200-21	PLASTIC PUSH BUTTON with "E" RING.....	33 80-SDT-6	DOOR ONLY - 80 SD Tabloid (unfinished)..... (powder coated).....
5133-50	#50 "E" RING.....	34 CM-90-20	DOOR LATCH.....
7 SR200-30	STEEL BUTTON GUARD welds to housing.....	M-90-20-1	SPACER FOR BERKLEY SMALL DOOR.....
8 SR200-40	BUTTON GUARD (unfinished)..... Mounts under faceplate (powder coated).....	B11	10-24 x 1/2" CARRIAGE BOLT (plated)..... For installing door latch.
9 SR-511-P	PLASTIC FACEPLATE 4" x 6-3/4".....	B11-S	10-24 x 1/2" CARRIAGE BOLT (stainless).....
10 SR-511-PN	PLASTIC FACEPLATE 4" x 6-3/4" NOTCHED ...	N8N	10-24 NYLON INSERT NUT.....
11 B1A-S	5-40 x 3/8" UNSLOTTED BOLT (stainless)....	N10K	10-32 KEP NUT.....
B1B-S	5-40 x 1/2" UNSLOTTED BOLT (stainless).... For installing plastic and faceplate.	35 D1	PULL DECAL - Black on White..... (3/4" x 2-1/4")
N1H	5-40 HEX NUT.....	36 80-3	DOOR LATCH HOUSING ONLY..... (unfinished) Includes wire pull.
12 B13	1/4" x 1/2" HEX BOLT Installs housing & base	36 WP-1	WIRE PULL ONLY (unfinished).....
25SW	1/4" EXTERNAL LOCK WASHER..... For installing housing.	37 80-12	DOOR & SIDE WINDOW PLASTIC .080..... .093.....
13 SR-515	ARMORED BOLT 7/8" x 10" (plated).....	38 P1	DOOR MOLDING STRIP - 3 required.....
14 SR-512	COIN TRAY (galvanized).....	38 50W	50 WEB DOOR MOLDING STRIP SET(unfinished) (Specify if for 48 WEB) (powder coated)
15 CM-90-30	HOOK ASSEMBLY- STACKER MECH.....	39 P-2B	BROADSHEET PLASTIC TENSION 3/4"..... PAPER HOLDER 1-1/2"..... 1-1/2" metro.
M90-30	HOOK ONLY - BELLATRIX MECH.....	40 P-3T	TABLOID PLASTIC TENSION 3/4"..... PAPER HOLDER 1-1/2".....
CM-90-19	COIN RETURN SPRING.....	41 80-50	STANDARD NATIONAL LOCK, NUT MOUNTED TO OPEN PAPER DOOR, INCLUDES CAM ASSEMBLY (item #42) & ONE KEY, ONE WAY PULL. SPECIFY: #C2B, C4B, C6B, C8B, OR C10B.....
B6	8-32 x 1/2" RH BOLT Installs door hook.....	42 FDLC	CAM ASSEMBLY ONLY for lock to open paper door. SPECIFY: NATIONAL or CHICAGO CAM.
N5N	8-32 NYLON INSERT NUT.....	43 80-52	ANCHOR BRACKET for sidewalk installation
16 CM-90-11	COIN RETURN CHUTE.....	44 N12K	1/4" KEP NUT Installs housing to..... Kaspar® cabinet.
CM-90-11-P	COIN RETURN CHUTE with protection shield....	H-602	MECH TOP MOUNTING STUD.....
B9	10-24 x 1/4" RH BOLT Installs chute	H-601	MECH BOTTOM MOUNTING STUD.....
W3	#10 STAR WASHER.....	80-5	DOOR STOP ASSEMBLY for welding to..... paper door (unfinished)
TSI-W	#8 1/2" TAP SCREW with #10 star washer.....	C-80-9	DOOR STOP RIVET.....
17 SR-514	COIN RETURN REJECT CUP (unfinished).....	C-80-9W	DOOR STOP SPACER WASHER.....
17A BS	SIDE COIN RETURN CHUTE.....	C-80-9SW	3/8" DOOR STOP SPRING WASHER.....
18 80-B	CABINET ONLY - 80 Broadsheet (unfinished).... (powder coated).....	SR-516	STANDARD NUT MOUNTED NATIONAL LOCK FOR DAILY/SUNDAY LOCKOUT w/o CAM, w/ ONE KEY, TWO WAY PULL, SPECIFY: #C2B, C4B, C6B, C8B, or C10B
19 80SDT	CABINET ONLY - 80 SD Tabloid (unfinished).... (powder coated).....	SR-516C	CHICAGO LOCK SPECIFY LOCK#.....
20 80-10	WIRE SHELF (powder coated).....	CM-100-89	LOCK TO HARNESS ROD w/ CAM FOR QUICK CHANGE. SPECIFY NATIONAL or CHICAGO CAM.....
21 80-22	ELEVATOR SHELF (galvanized).....		
22 80-23	ELEVATOR SHELF ROD - 2 required		
23 80-24	ELEVATOR SHELF SPRING - 2 required		
24 CPI	1/8" x 1" COTTER PIN - 2 required		
	1 5/8" HAIR PIN COTTER PIN		
80-60	ELEVATOR SHELF BRACKET ONLY..... Welded in top of cabinet.		
25 80-16	11" x 17" OPEN TOP CARDHOLDER (unfinished).... (powder coated)...		
80-16-1	11" x 17" 4 LIP CARDHOLDER (unfinished).... (powder coated)...		



80 SD TABLOID CABINET



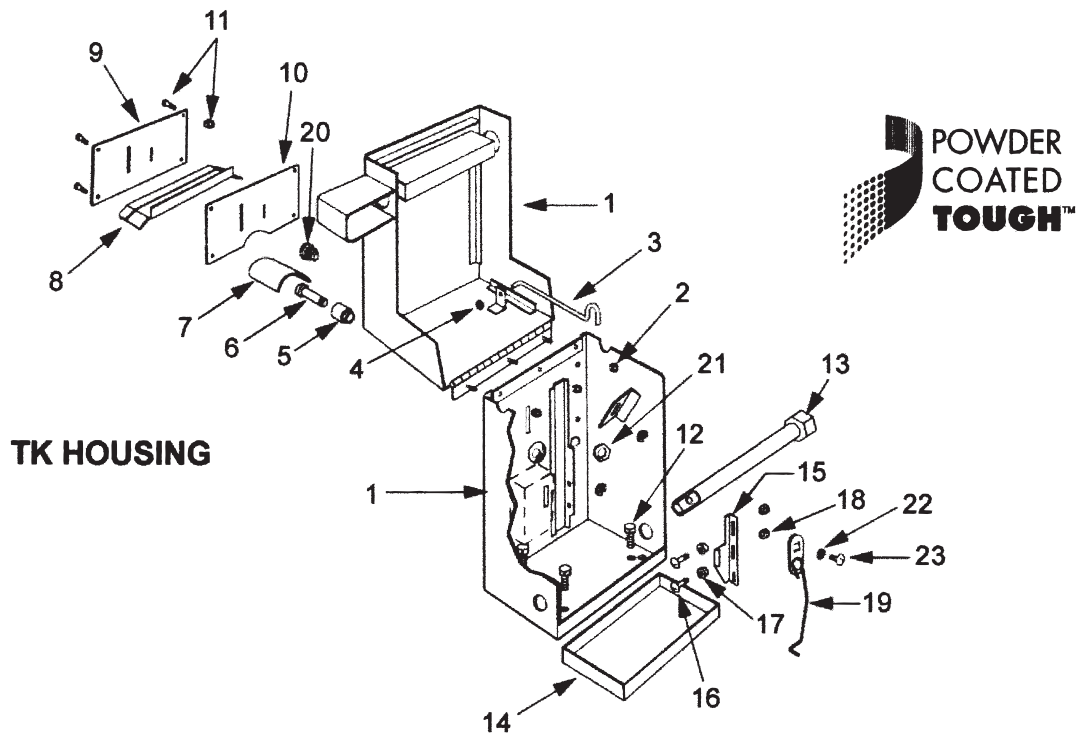
80 BROADSHEET CABINET



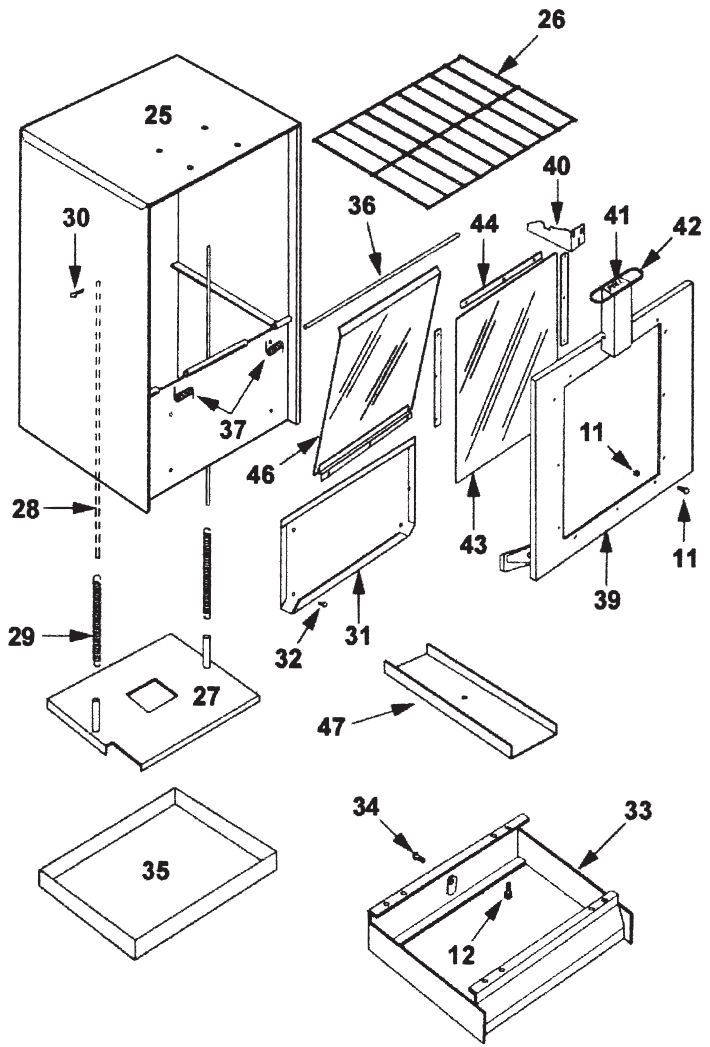
TK 80 - SERIES RACK PARTS

PART NO.	DESCRIPTION	PART NO.	DESCRIPTION
1 CH20	TK ARMORED HOUSING ONLY (unfinished)..... (12 gauge) (powder coated) includes lid stop, retainer rings, and nuts	29 80-24	ELEVATOR SHELF SPRING - 2 required.....
1 CH20B	TK ARMORED HOUSING BODY ONLY..... (12 gauge - unfinished)	30 CPI	1/8" x 1" COTTER PIN - 2 required..... 1 5/8" HAIR PIN COTTER PIN.....
1 CH29L	TK ARMORED HOUSING LID ONLY..... (12 gauge - unfinished)	80-60	ELEVATOR SHELF BRACKET ONLY..... Welded in top of cabinet.
2 N12K	1/4" KEP NUT for installing lid.....	31 80-16	11" x 17" OPEN TOP CARDHOLDER (unfinished)..... (powder coated).....
3 CH21	WIRE LID STOP.....	80-16-1	11" x 17" 4 LIP CARDHOLDER (unfinished)..... (powder coated).....
4 CH22	1/4" RETAINER RING for wire lid stop.....	32 PR-4A	3/16" ALUMINUM RIVET to install cardholder.....
D2	COIN RETURN DECAL - black on white.....	33 80-33	CABINET BASE (unfinished)..... (powder coated).....
5 SR-200-20	BRASS BUSHING.....	B61	5/16" x 1 1/2" LEVELING BOLT.....
SR-200-20P	PUNCH TO INSTALL BUSHING TO HOUSING.	34 B30	1/4" x 1 1/2" RH BOLT.....
6 T852	PLASTIC PUSH BUTTON - INCLUDES "E" RING	35 80-34	CONCRETE WEIGHT TRAY 2-1/2" x 13" x 17-3/4"..... 2" x 13" x 18-1/2" - Kaspar®..... 2" x 13" x 16-3/4" - EB.....
5133-50	#50 "E" RING.....	36 80-8	DOOR HINGE ROD.....
7 SR-200-30	STEEL BUTTON GUARD for welding to housing	37 80-7	DOOR SPRING - 2 required.....
8 SR-200-40	BUTTON GUARD mounts under faceplate (unfinished)..... (powder coated).....	38 TK80-B	TK BROADSHEET DOOR ONLY (Specify if for 50 WEB) (unfinished)..... (powder coated).....
9 SR-711-P	PLASTIC FACEPLATE 4" x 6 3/4".....	39 TK80 SDT	TK TABLOID DOOR ONLY (unfinished)..... (powder coated).....
10 SR-711-PN	PLASTIC FACEPLATE 4" x 6 3/4" -NOTCHED ...	40 T847	DOOR HOOK.....
11 B1A-S	5-40 x 3/8" RH UNSLOTTED BOLT (stainless) ...	M847-1	SPACER.....
B1B-S	5-40 x 1/2" RH UNSLOTTED BOLT (stainless) ... (For installing plastic and faceplate)	B11	10-24 x 1/2" CARRIAGE BOLT (plated)..... For installing door hook. (stainless).....
11 N1H	5-40 HEX NUT.....	N8N	10-24 NYLON NUT..... For installing door hook.
12 B13	1/4" x 1/2" HEX BOLT..... (For installing housing and base)	N10K	10-32 KEP NUT.....
25SW	1/4" EXTERNAL LOCK WASHER..... (For installing housing)	41 D1	PULL DECAL - Black on White.....
13 SR-715	ARMORED BOLT 7/8" x 10" (plated).....	42 TK80-3	TK HOOK HOUSING (unfinished)..... Includes wire pull.
14 SR-712	COIN TRAY (galvanized).....	42 WP1	WIRE PULL ONLY (unfinished).....
GEO-T	COIN TRAY GEO MECH (galvanized)..... (4-5/16" x 5-1/2" x 2" with two holes)	43 80-12	DOOR & SIDE PLASTIC .080..... .093.....
15 SR-717	DOOR LATCH LIFT BRACKET.....	44 P1	DOOR MOLDING STRIP - 3 required.....
16 B20	8-32 x 3/8" BOLT - 2 required.....	44 50W	50 WEB DOOR MOLDING STRIP SET (unfinished).... (Specify if for 48 WEB) (powder coated)....
17 SR-720	BUSHING - 2 required.....	45 P-2B	BROADSHEET PLASTIC TENSION 3/4"..... PAPER HOLDER 1 1/2"..... 1 1/2" metro.....
18 N20K	8-32 KEP NUT - 2 required.....	46 P-3T	TABLOID PLASTIC TENSION 3/4"..... PAPER HOLDER 1 1/2".....
19 SR-718	LIFT ROD- SPECIFY: NATIONAL OR CHICAGO CAM	47 80-52	ANCHOR BRACKET for sidewalk installation.....
20 SR-154N	STANDARD NATIONAL LOCK, NUT MOUNTED TO OPEN PAPER DOOR. INCLUDES ITEMS 21, 22, & 23 & ONE KEY, ONE WAY PULL. SPECIFY: #C2B, C4B, C6B, C8B, OR C10B.....	48 N12K	1/4" KEP NUT for installing housing..... to Kaspar® cabinet
21 N21	NUT FOR INSTALLING NATIONAL LOCK TO HOUSING.....	TH605-5	TK PILOT STUD for mounting mech.....
22 SW1	LOCK WASHER FOR ATTACHING NATIONAL LOCK CAM.....	TH605-4	TK MOUNTING STUD for mounting mech.....
23 B22	10-32 x 3/16" BOLT FOR ATTACHING NATIONAL LOCK CAM.....	80-5	DOOR STOP ASSEMBLY (unfinished)..... For welding to paper door.
20 SR-154C	CHICAGO LOCK- SPECIFY: LOCK#.....	C-80-9	DOOR STOP RIVET.....
C21	NUT FOR INSTALLING CHICAGO LOCK TO HOUSING.....	C-80-9W	DOOR STOP SPACER WASHER.....
C22	NUT FOR INSTALLING CHICAGO CAM.....	C-80-9SW	3/8" DOOR STOP SPRING WASHER.....
TK80-1	KIT TO ADD LOCK TO OPEN PAPER DOOR. INCLUDES ITEMS 15 THRU 23. SPECIFY: NATIONAL LOCK #.....	SR-516	STANDARD NUT MOUNTED NATIONAL LOCK FOR DAILY/SUNDAY LOCKOUT WITH ONE KEY, TWO WAY PULL. SPECIFY: #C2B, C4B, C6B, C8B, OR C10B.....
TK80-1-C	KIT TO ADD LOCK TO OPEN PAPER DOOR. INCLUDES ITEMS 15 THRU 23. SPECIFY: CHICAGO LOCK #.....	SR-516C	CHICAGO LOCK - SPECIFY LOCK#.....
24 80-B	CABINET ONLY - 80 Broadsheet (unfinished)..... (powder coated).....		
25 80 SDT	CABINET ONLY - 80 SDTabloid (unfinished)..... (powder coated).....		
26 80-10	WIRE SHELF (powder coated).....		
27 80-22	ELEVATOR SHELF (galvanized).....		
28 80-23	ELEVATOR SHELF ROD - 2 required.....		

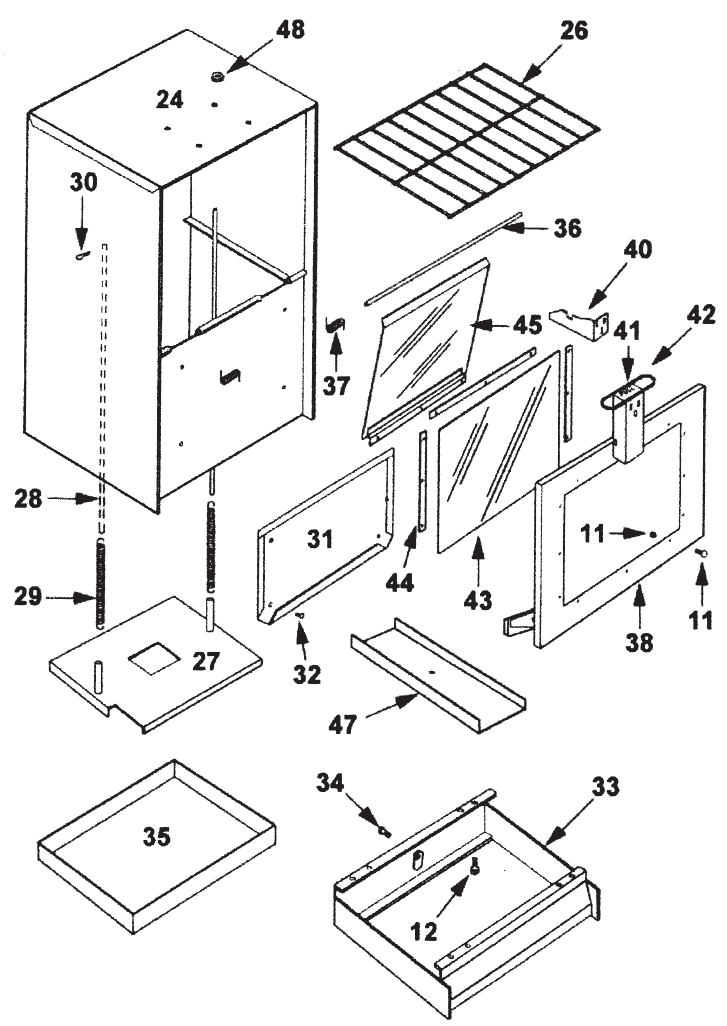
TK 80 - SERIES RACK PARTS



TK-80 SD TABLOID CABINET



TK-80 BROADSHEET CABINET



49 - SERIES RACK PARTS

PART NO.	DESCRIPTION
STACKER OR TOTALIZER	
1 49-1	CABINET ONLY (unfinished)..... (powder coated).....
STACKER	
2 49-2	S-STYLE MECH PANEL ONLY (unfinished)..... (powder coated).....
3 49100-1	STANDARD NATIONAL LOCK, NUT MOUNTED FOR DAILY/SUNDAY LOCKOUT, w/o CAM, w/ KEY, TWO WAY PULL, SPECIFY: #C2B, C4B, C6B, C8B, or C10B
4 49100-2	SECURITY NATIONAL LOCK, NUT MOUNTED FOR 49 MECH PANEL, w/ CAM & ONE KEY, ONE WAY PULL. SPECIFY: #N0001, N0002, N0003 or N0004
49100-2K	KEY ONLY for security lock
4 49100-3	STANDARD NATIONAL LOCK, NUT MOUNTED FOR 49 MECH PANEL, w/ CAM & ONE KEY, ONE OR TWO WAY PULL. SPECIFY: #C2B, C4B, C6B, C8B, or C10B.....
49100-3K	KEY ONLY for standard lock
5 49100-4	SECURITY LOCK BENT CAM ONLY
5 49100-5	STANDARD LOCK BENT CAM ONLY
6 49100-6	ARMORED ATTACHMENT (unfinished)..... (powder coated)..... Includes two stainless 10-24 x 1/2" carriage bolts and two nylon insert nuts.
7 49-7K	PLASTIC FACEPLATE (3-13/16" x 5-3/8") SPECIFY TYPE MECH TO BE USED
8 SR-200-21	PLASTIC PUSH BUTTON Includes "E" ring
5133-50	#50 "E" RING
D2	COIN RETURN DECAL - Black on White.....
9 SR-200-20	BRASS BUSHING ONLY
SR200-20PP	PUNCH TO INSTALL BRASS BUSHING
10 49100-8N	STANDARD NATIONAL LOCK, NUT MOUNTED TO OPEN PAPER DOOR, INCLUDES CAM ASSEMBLY (item #11) & ONE KEY, ONE WAY PULL. SPECIFY: #C2B, C4B, C6B, C8B, or C10B
49100-8C	CHICAGO LOCK SPECIFY LOCK NUMBER
11 FDLC	CAM ASSEMBLY ONLY to open paper door SPECIFY NATIONAL or CHICAGO CAM.....
12 CM-90-20	DOOR LATCH ASSEMBLY
B11	10-24 x 1/2" CARRIAGE BOLT (plated).....
B11-S	For installing door latch (stainless).....
N8N	10-24 NYLON INSERT NUT
13 CM 90-30	HOOK ASSEMBLY
M-90-30	HOOK - BELLATRIX MECH
CM-90-19	COIN RETURN SPRING
B6	8-32 x 1/2" BOLT For installing door hook assy.....
N5N	8-32 NYLON INSERT NUT
14 49100-9	COIN RETURN CHUTE
B9	10-24 x 1/4" RH BOLT For installing
W3	#10 STAR WASHER.....
49100-10	COIN RETURN CUP ONLY (unfinished)
15 49100-11	COIN TRAY (galvanized)..... (5" x 5-3/8" x 2-1/2")
16 49-3	S-BROADSHEET DOOR ONLY (unfinished)..... (Specify if for 50 WEB) (powder coated)
17 49-4	S-TABLOID DOOR ONLY (unfinished)..... (powder coated).....
D1	PULL DECAL - Black on White
18 80-12	11-7/8" x 14-5/8" POLYCARBONATE .080
	DOOR PLASTIC .093.....

ILLUS.

NO.	PART NO.	DESCRIPTION
19	B1A-S	5-40 x 3/8" UNSLOTTED BOLTS (stainless).....
	B1B-S	5-40 x 1/2" UNSLOTTED BOLTS (stainless).....
	N1H	5-40 HEX NUT (plated)
20	P1	DOOR MOLDING STRIP - 3 required.....
21	P-2B	BROADSHEET PLASTIC TENSION 3/4"..... PAPER HOLDER 1-1/2"..... 1-1/2" METRO.....
22	49P-3T	TABLOID PLASTIC TENSION 3/4"..... PAPER HOLDER 1-1/2".....
23	49100-12	DOOR HINGE ROD (galvanized).....
24	49-166	DOOR SPRING - 2 required.....
25	B13-1	1/4" x 3/4" HEX BOLT
	N12K	1/4" KEP NUT.....

TOTALIZER

30	49-5	TOTALIZER-STYLE MECH PANEL ONLY (unfinished)..... (powder coated).....
	D2	COIN RETURN DECAL - Black on White.....
31	49-7TK	PLASTIC FACEPLATE (3-13/16" x 5-3/8")
32	T852	PLASTIC PUSH BUTTON w/ "E" Ring
	5133-50	#50 "E" - RING
33	49100-13N	STANDARD NATIONAL LOCK, NUT MOUNTED TO OPEN PAPER DOOR. INCLUDES LIFT ROD w/ CAM (ITEM #33A) & ONE KEY, ONE WAY PULL SPECIFY: #C2B, C4B, C6B, C8B, or C10B.....
	49-100-13C	CHICAGO LOCK SPECIFY LOCK NUMBER.....
33A	49100-14	LIFT ROD ONLY FOR LOCK TO OPEN PAPER DOOR. SPECIFY NATIONAL OR CHICAGO CAM.....
34	49-6	TOTALIZER BROADSHEET DOOR ONLY (Specify if for 50 WEB) (unfinished)..... (powder coated).....
35	49-7	TOTALIZER TABLOID DOOR ONLY (unfinished)..... (powder coated).....
	D1	PULL DECAL - Black on White.....
36	T847	DOOR HOOK.....
	B11	10-24 x 1/2" CARRIAGE BOLT (plated).....
	B11-S	For installing door hook. (stainless)
	N8N	10-24 NYLON INSERT NUT (plated).....

FREE STYLE

40	49-8	PANEL ONLY (unfinished)..... (powder coated).....
41	49-9	BROADSHEET DOOR ONLY (unfinished)..... (Specify if for 50 WEB) (powder coated).....
42	49-10	TABLOID DOOR ONLY (unfinished)..... (powder coated).....

49-DW

50	49DW-10	CABINET ONLY. Partition panel is standard. SPECIFY IF w/o PANEL. (unfinished)..... (powder coated).....
51	49DW-11	15-13/16" x 23-1/2" .222 POLYCARBONATE PLASTIC
52	49DW-12	METAL MOUNTING STRIP FOR PLASTIC DOOR (unfinished)..... (powder coated).....
53	B11-S	10-24 x 1/2" CARRIAGE BOLT (stainless).....
	N8K	10-24 KEP NUT
54	49DW-13	PLASTIC DOOR PULL Includes two 8-32 x 1/2" BOLTS - Item #55
55	B6	8-32 x 1/2" BOLT
56	49DW-14	DOOR HINGE ROD (galvanized).....
57	49DW-15	DOOR SPRING (stainless) One required.....
58	49DW-16	PARTITION PANEL ONLY (unfinished).....

49 - SERIES RACK PARTS

STACKER OR TOTALIZER



49 SERIES SPECIFICATIONS:

17-1/2" HIGH - 24-1/8" WIDE

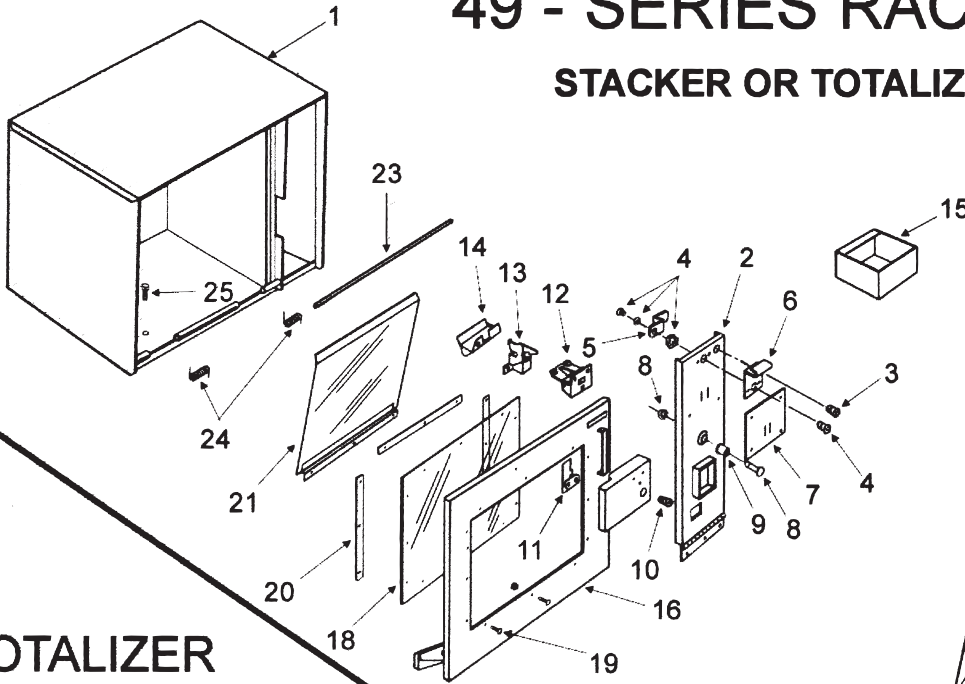
16" FRONT TO BACK

IMPRESSION AREA:

SIDES 15" WIDE X 16" HIGH

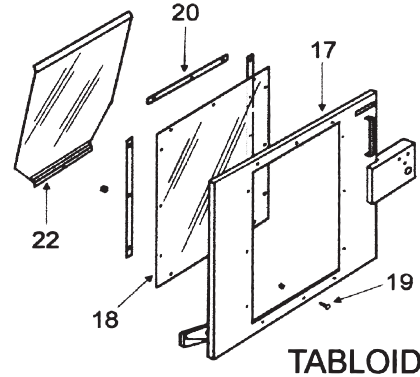
BACK 22" WIDE X 16" HIGH

PAPER DOOR. 16" WIDE X 1-1/2" HIGH



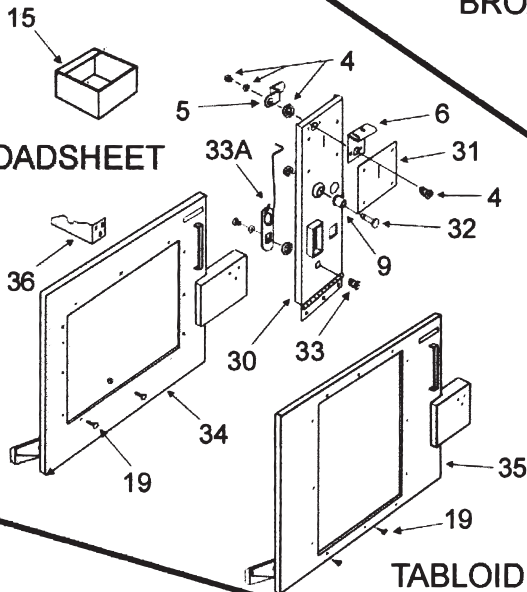
TOTALIZER

BROADSHEET



TABLOID

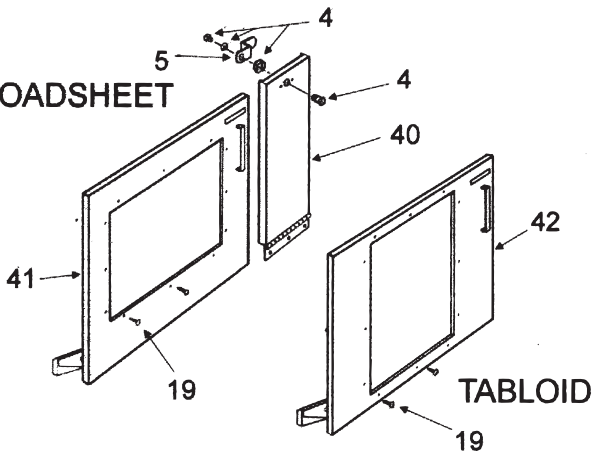
BROADSHEET



TABLOID

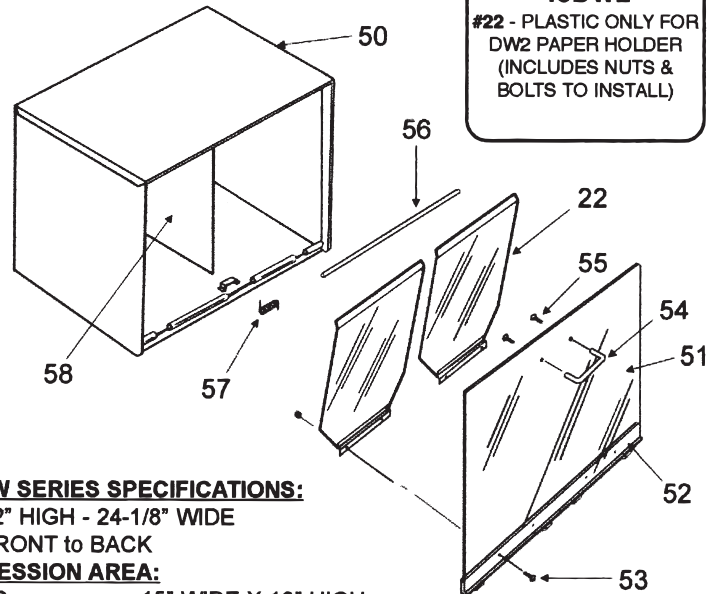
FREE STYLE

BROADSHEET



TABLOID

49 DW



49DW2

#22 - PLASTIC ONLY FOR DW2 PAPER HOLDER (INCLUDES NUTS & BOLTS TO INSTALL)

49 DW SERIES SPECIFICATIONS:

17-1/2" HIGH - 24-1/8" WIDE

16" FRONT TO BACK

IMPRESSION AREA:

SIDES 15" WIDE X 16" HIGH

BACK 22" WIDE X 16" HIGH

PLASTIC DOOR . 22" WIDE X 14" HIGH

49DW2

DOOR PLASTIC ONLY FOR DW2 (11 3/8" x 15 3/4")

49DW2

METAL STRIP ONLY POWDER COATED

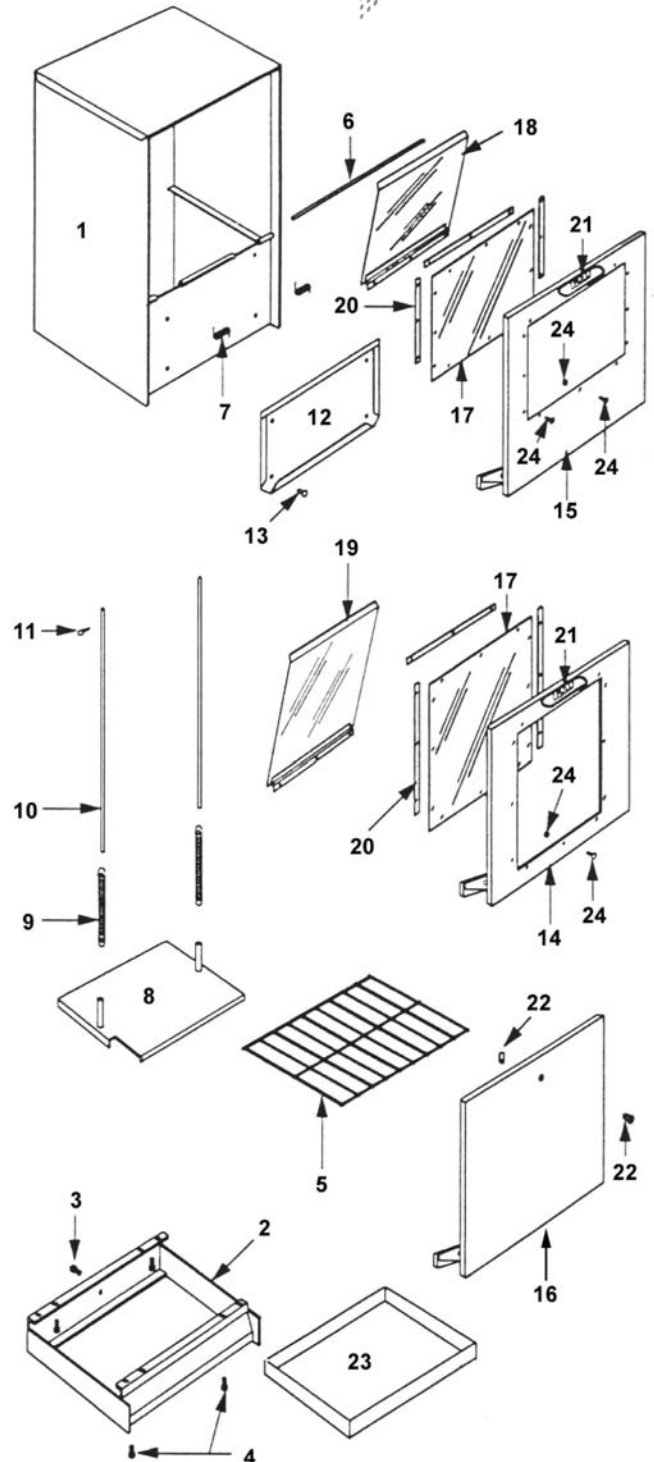
49DW2

COMPLETE DOOR WITH PAPER HOLDER POWDER COATED

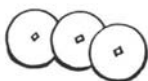
91 - SERIES WEATHERPROOF DISTRIBUTION BOX



ILLUS. NO.	PART NO.	DESCRIPTION
1	91SD1	CABINET ONLY (unfinished)..... (powder coated)..... Specify if for Storage Box or Slanted Top
2	91SD	CABINET BASE (unfinished) (powder coated).....
3	B30	1/4" x 1-1/2" RH BOLT.....
4	B13	1/4" x 1/2" HEX BOLT.....
5	80-10	WIRE SHELF (powder coated).....
5	80 SMS	SHEETMETAL SHELF.....
6	80-8	DOOR ROD (galvanized).....
7	80-7	DOOR SPRING - 2 required.....
8	80-22	ELEVATOR SHELF (galvanized).....
9	80-24	ELEVATOR SHELF SPRING - 2 required...
10	80-23	ELEVATOR SHELF ROD - 2 required.....
11	CP1	1/8" x 1" COTTER PIN - 2 required..... 1 5/8" HAIR PIN COTTER PIN.....
12	80-16	11" x 17" OPEN TOP (unfinished)..... CARDHOLDER (powder coated).....
13	PR-4A	3/16" ALUMINUM RIVET FOR CARDHOLDER.....
14	91SD3	TABLOID PAPER DOOR (unfinished)..... (powder coated).....
15	91SD4	BROADSHEET PAPER DOOR (unfinished). (Specify if for 50 WEB) (powder coated)
16	91SD5	APARTMENT / STORAGE (unfinished). PAPER DOOR (powder coated).
17	80-12	11-7/8" x 14-5/8" DOOR PLASTIC .080..... (POLYCARBONATE) .093.....
18	P2B	3/4" BROADSHEET PLASTIC TENSION PAPER HOLDER.....
19	P3T	3/4" TABLOID PLASTIC TENSION PAPER HOLDER.....
20	P1	DOOR MOLDING STRIP - 3 required.....
21	D1	PULL DECAL.....
22	91SD6	STANDARD NATIONAL LOCK, NUT MOUNTED TO OPEN PAPER DOOR. INCLUDES CAM & ONE KEY. ONE WAY PULL. SPECIFY: #C2B, C4B, C6B, C8B or C10B.....
	91SD7	CAM ONLY.....
23	80-34	2-1/2" x 13" x 17-3/4" CONCRETE WEIGHT TRAY (galvanized).....
24	B1A-S	5-40 x 3/8" UNSLOTTED BOLT (stainless).
	N1H	5-40 HEX NUT.....

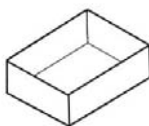


MISCELLANEOUS PARTS



QUARTER TOKENS

1 - 99 LBS.....
100 LBS UP.....



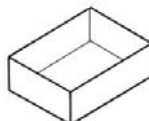
COIN TRAY

PART #K4916-2
K-49-16-2, K-100-2 &
K-77FD-2
3-3/8" x 4-1/2" x 1-1/2"



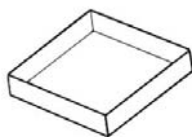
**DIME RELEASE
SPRING**

CM-90-19



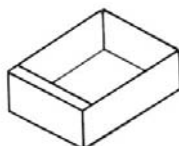
COIN TRAY

PART #K99-2
K-99-2 & K-410-2
4-1/8" x 4-3/8" x 1-1/4"



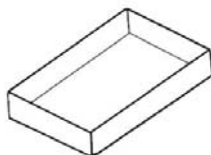
COIN TRAY

PART #SR-512
K-80, K-33C, S-80
& K-500 RACKS
5-1/8" x 5-1/8" x 7/8"



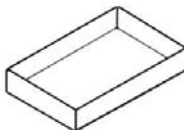
COIN TRAY

PART #49-16-R1
TK-49-162-R1
TK-100-2-R1
MER 49/100 (both K & TK)
5" x 5-1/4" x 2-1/2"



COIN TRAY

PART #SR-712
TK-HOUSING
4-5/8" x 7-3/8" x 1-7/16"



COIN TRAY

SOUTHERN & LECO
4-1/2" x 5-1/2" x 3/4"



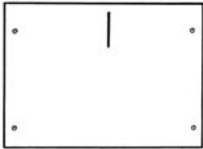

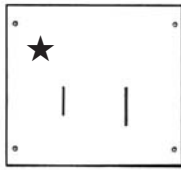
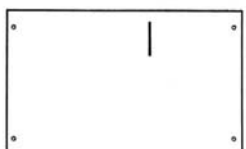


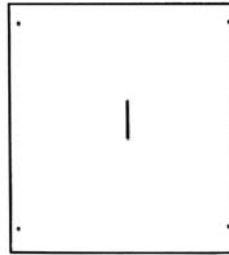

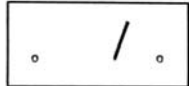

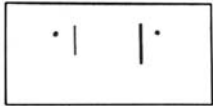
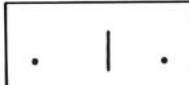
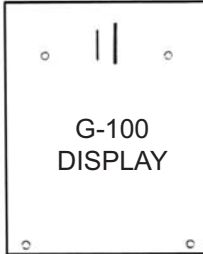
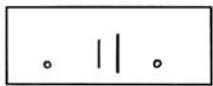


PADLOCKS

1105 AMERICAN LOCK
1201 AMERICAN LOCK
1305 AMERICAN LOCK

CALL FOR PRICING

<u>ITEM</u>	<u>DESCRIPTION</u>	<u>PART NO.</u>
PLASTIC PLUG	FOR 1" CHAIN HOLE	PP1.....
	FOR 1-1/8" CHAIN HOLE	PP118.....
TOOLS	DOOR SPRING TOOL	
	PUNCH TO INSTALL MECH PANEL BRASS BUSHING	SR 200-20P.....
BASE MOUNTING BRACKET	MER BASE MOUNTING BRACKET - 2 REQUIRED - GALVANIZED	
	POWDER COATED	
	KWW BASE MOUNTING BRACKET - 2 REQUIRED - GALVANIZED	
	POWDER COATED	
DOOR CARDHOLDER	3" x 15" PAPER DOOR - SIDE LOADING CARDHOLDER	
SOUTHERN ARMORED BOLT	3/4" x 10" - POWDER COATED.....	

NEWSPAPER RACK PLASTIC FACEPLATES

<p>49 / 100 STYLE RACKS</p> <div style="text-align: center; margin-bottom: 10px;">  </div> <p>TK 49/100 Bellatrix ST201-ST211 USA Today ECM 92T GEO ECM 49/100 3-13/16" x 5-3/8"</p> <div style="text-align: center; margin-bottom: 10px;">  </div> <p>MER 49/100 Stacker Bellatrix ST110 USA Today ECM 9200 3-13/16" x 5-3/8"</p> <div style="text-align: center; margin-bottom: 10px;">  </div> <p>K 49/77/100 Berkley Small Stacker EB Totalizer Bellatrix ST 110 USA Today ECM 9200 4" x 4-1/2"</p>	<p>80 STYLE RACKS</p> <div style="text-align: center; margin-bottom: 10px;">  </div> <p>TK 80 Housing Bellatrix ST201-ST211 USA Today ECM 92T GEO ECM 80 4" x 6-3/4"</p> <div style="text-align: center; margin-bottom: 10px;">  </div> <p>80 Stacker Housing MER Classic-EB-Berkley Small Bellatrix ST110 - EB Totalizer USA Today ECM 9200 4" x 6-3/4"</p>	<p>KASPAR® WEST RACKS</p> <div style="text-align: center; margin-bottom: 10px;">  </div> <p>TK -West (New Style) 5-3/8" x 4-9/16"</p> <div style="text-align: center; margin-bottom: 10px;">  </div> <p>TK - West 5-3/8" x 5-7/8"</p> <div style="text-align: center; margin-bottom: 10px;">  </div> <p>K-WEST 4" x 5-1/2"</p>	<p>K-JACK RACKS</p> <div style="text-align: center; margin-bottom: 10px;">  </div> <p>K-JACK 2" x4-3/8"</p> <div style="text-align: center; margin-bottom: 10px;">  </div> <p>K-JACK 2" x4-3/8" ELECTRONIC</p>
<p>PRICE INCLUDES TWO COLORS WITH BACKGROUND</p> <p>EACH ADDITIONAL IMPRINT ADD (FOR COLOR, PIECED ART, ETC.)</p>		<p>MISCELLANEOUS</p> <div style="text-align: center; margin-bottom: 10px;">  </div> <p>K 99/410 2-7/16" x 5"</p> <div style="text-align: center; margin-bottom: 10px;">  </div> <p>NEWS EQUIPMENT 2" x 4-3/8"</p>	
<p>SOUTHERN RACKS</p> <div style="text-align: center; margin-bottom: 10px;">  </div> <p>G-100 DISPLAY SOUTHERN 5" x 6"</p> <div style="text-align: center; margin-bottom: 10px;">  </div> <p>SOUTHERN BUBBLE 1-7/8" x 5"</p>		<p>500 / 600 SERIES RACKS</p> <div style="text-align: center; margin-bottom: 10px;">  </div> <p>TK 500/600 - Bellatrix ST 211 - USA Today ECM 92T 4" x 13-5/8"</p> <div style="text-align: center; margin-bottom: 10px;">  </div> <p>K 500/600 - Bellatrix ST 110 -EB Totalizer USA Today ECM 9200 4" x 13-5/8"</p>	

★ SPECIFY: 5 QUARTER, 6 QUARTER OR 5 - 6 QUARTER ELONGATED SLOT

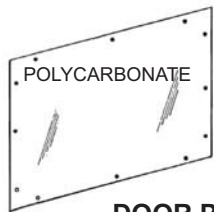
SILK SCREEN FOR CUSTOMIZED FACEPLATE (CUSTOMER FURNISHED ARTWORK)

**PRICE INCLUDES TWO COLORS
WITH BACKGROUND**
EACH ADDITIONAL IMPRINT ADD
(FOR COLOR, PIECED ART, ETC.)
ARTWORK SCREENED TO THE
EDGE OF THE PLASTIC..... ADD

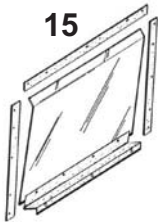
**NUTS & BOLTS
FOR
FACEPLATES**

PART#	DESCRIPTION
B1A-S	5-40 x 3/8" BOLT (stainless)
N1H	5-40 HEX NUT

**MINIMUM ORDER QUANTITY FOR FACEPLATES - 10
FOR LESS THAN 10 - CALL FOR PRICE**



DOOR PLASTIC & PLASTIC TENSION PAPER HOLDER FITS ALL M.E.R., BERKLEY-SMALL, & KASPAR® STANDARD DOORS



DOOR PLASTIC:

- .080 x 11-7/8" x 14-5/8" DOOR PLASTIC.....
- .093 x 11-7/8" x 14-5/8" DOOR PLASTIC.....
- .080 x 11-7/8" x 13-5/8" KASPAR 50 WEB DOOR PLASTIC.....
- 22 GA. x 11-7/8" x 14-5/8" DOOR METAL - WITH HOLES.....
- 22 GA. x 11-7/8" x 14-5/8" DOOR METAL - WITHOUT HOLES.....
- DOOR MOLDING STRIP (KASPAR® KP-1).....
- .060 x 14-3/4" x 22-1/2" KASPAR® FULL LENGTH DOOR.....
- .080 x 14-3/4" x 22-1/2" KASPAR® FULL LENGTH DOOR.....
- .080 x 14-5/8" x 24" S-FULL LENGTH DOOR.....
- .080 x 10-3/4" x 14-5/8" SIDE.....
- .060 x 3-5/16" x 10-1/8" 80 RECOVERY.....
- .060 x 6-1/2" x 6-1/2" 80 ROUND RECOVERY.....
- .060 x 2" x 7-1/2" 500 RECOVERY.....
- .080 x 11-3/4" x 14-3/8" 33-80 DOUBLE WIDE DOOR.....
- .080 x 11-7/8" x 13-11/16" MULTI-UNIT DOOR PLASTIC w/ 12 HOLES - TABLOID.....
- .080 x 11-15/16" x 17-3/8" 80 RACK CARD DISPLAY AREA.....
- .093 x 18-1/2" x 14-1/4" 84 FRONT PLASTIC.....
- .060 x 14-5/8" x 26-7/16" K-99.....
- .060 x 15-3/8" x 34-1/4" K-410.....
- .080 x 11-3/8" x 18-3/8" K-WEST OLD STYLE DOOR.....
- .060 x 12-9/16" x 18-3/4" K-WEST BACK.....
- .060 x 11" x 17" CARDHOLDER PLASTIC.....
- .093 x 11-9/16" x 15-7/8" F16 HONOR BOX PLASTIC W/3 HOLES.....
- .220 x 15-11/16" x 23-7/16" 49 DW DOOR PLASTIC.....
- .220 x 11 3/8" x 15 3/4" 49 DW2 DOOR PLASTIC.....

PAPER HOLDERS:

- 3/4" BROADSHEET PAPER HOLDER.....
- 1-1/2" BROADSHEET PAPER HOLDER.....
- 1-1/2" METRO BROADSHEET PAPER HOLDER (for Sunday paper with insert).....
- 1-1/2" 80 KASPAR® FULL LENGTH PAPER HOLDER.....
- DOOR MOLDING STRIP (KASPAR® KP-1).....
- 3/4" TABLOID PAPER HOLDER.....
- 1-1/2" TABLOID PAPER HOLDER.....
- .080 PLASTIC ONLY FOR PAPER HOLDER. SPECIFY BROADSHEET OR TABLOID.....

DOOR PLASTIC & PAPER HOLDER FOR K-JACK & EB RACKS

- .080 x 15-3/8" x 34-1/4" 97 BUBBLE (K-JACK).....
- .080 x 11" x 19-3/8" 100 DOOR (K-JACK).....
- .080 x 15-1/4" x 13-1/4" x 10-1/8" 100 SIDE (K-JACK).....
- .080 x 13-1/4" x 19-3/4" 100 BACK (K-JACK).....
- .080 x 17-11/16" x 25-1/16" 200-300 DOOR (K-JACK).....
- .080 x 13-1/4" x 15-1/4" 200-300 SIDE (6 HOLES / 1 NOTCH) (K-JACK).....
- .080 x 13-15/16" x 17-5/8" 400 DOOR (K-JACK).....
- .080 x 12-1/8" x 16-3/16" 50-800-900 DOOR (K-JACK).....
- .080 x 13-15/16" x 15-1/8" MODEL 50 SIDE PLASTIC (K-JACK).....
- .080 x 13-1/8" x 18" TABLOID DOOR (K-JACK).....
- 3/4" MODEL 100 PLASTIC PAPER HOLDER (K-JACK).....
- 1-1/2" MODEL 100 PLASTIC PAPER HOLDER (K-JACK).....
- .080 x 15" x 19-3/8" 100 TABLOID DOOR (K-JACK).....
- KJ 590 MOLDING WASHER (9/16" x 2-1/2" w/ HOLE) (K-JACK).....
- .080 x 13" x 15-1/4" DOOR WITH LIP (EB).....
- .080 x 16" x 12-5/16" TABLOID DOOR WITH LIP (EB).....
- .093 x 15-1/8" x 18-7/8" EB 81 BOTTOM FRONT (EB).....
- .080 x 15-3/16" x 25-1/8" FULL LENGTH DOOR WITH LIP (EB).....
- EB 80 BROADSHEET PLASTIC PAPER HOLDER (EB).....
- EB-80 TABLOID PLASTIC PAPER HOLDER (EB).....
- .080 PLASTIC ONLY FOR PAPER HOLDER (EB). SPECIFY BROADSHEET OR TABLOID.....

PLASTIC FOR SOUTHERN, NATIONAL NEWSVEND, & NEWS EQUIPMENT NEWSRACKS AVAILABLE
SEND IN YOUR SAMPLE PLASTIC & WE WILL MAKE IT!!

BOLTS & NUTS FOR PLASTIC / FACEPLATES

PART NO. DESCRIPTION

B1AS	5-40 x 3/8" UNSLOTTED BOLTS (stainless)
B1BS	5-40 x 1/2" UNSLOTTED BOLTS (stainless)
B12A	10-32 X 3/8" RH UNSLOTTED BOLTS
N1H	5-40 HEX NUTS (plated).....
N10H	10-32 HEX NUT (plated)
N10K	10-32 KEP NUT (plated)
FW1	3/16" FLAT WASHER (plated).....

POLYCARBONATE PLASTIC SIGNS FOR WIRE RACKS

Standard: One or two color imprint on white background - Additional imprint \$ per color.
Includes 2 Hog Rings or 2 Plastic Ties per sign - Please specify.

<u>SIZE</u>	<u>25 UP</u>	<u>50 UP</u>	<u>100 UP</u>	<u>500 UP</u>
1-5/8" x 12"
3" x 6"
3" x 8"
3" x 8-1/2"
3" x 12"
4" x 12"
6" x 12"
8" x 12"
3" x 16"
4" x 16"
5" x 16"
6" x 16"

Plastic Signs with White Background - No Imprint - Deduct 30%
Plastic Signs without Background or Imprint - Deduct 50%
ADD each extra hole ADD Round Corners - per sign

Above sign sizes in metal with rounded corners, powder coated WHITE.
Includes nuts, bolts, & flat washer to mount NO IMPRINT.

Add per sign to above plastic sign price
PLUS
Add per color imprint.

ARTWORK SCREENED
TO THE EDGE OF THE
PLASTIC..... ADD

MINIMUM ORDER (each setup)\$
DOES NOT INCLUDE SCREEN CHARGE

<u>HOG RINGS & TIES</u>	<u>PRICE</u>	<u>SILK SCREENS</u>
Hog Ring Applicator.....		Up to 11" Sign.....
Hog Rings.....		12" UP
Plastic Ties		16" UP

ALL RETURNS SUBJECT TO 25% RESTOCKING FEE.
DO NOT RETURN MERCHANDISE WITHOUT OUR PERMISSION.

CUSTOM FACEPLATES NOT RETURNABLE.

MINIMUM ORDER CHARGE

STANDARD PARTS -

POWDER COATED PARTS (BLACK & WHITE EXCLUDED) -

ALL PRICES ARE F.O.B. FACTORY

Prices subject to change without notice.

Prices in effect at time of shipment will apply.

Kaspar® is a registered trademark of Kaspar Wire Works, Inc. Mechanism Exchange & Repair, Inc. is not related or affiliated with Kaspar Wire Works, Inc.

