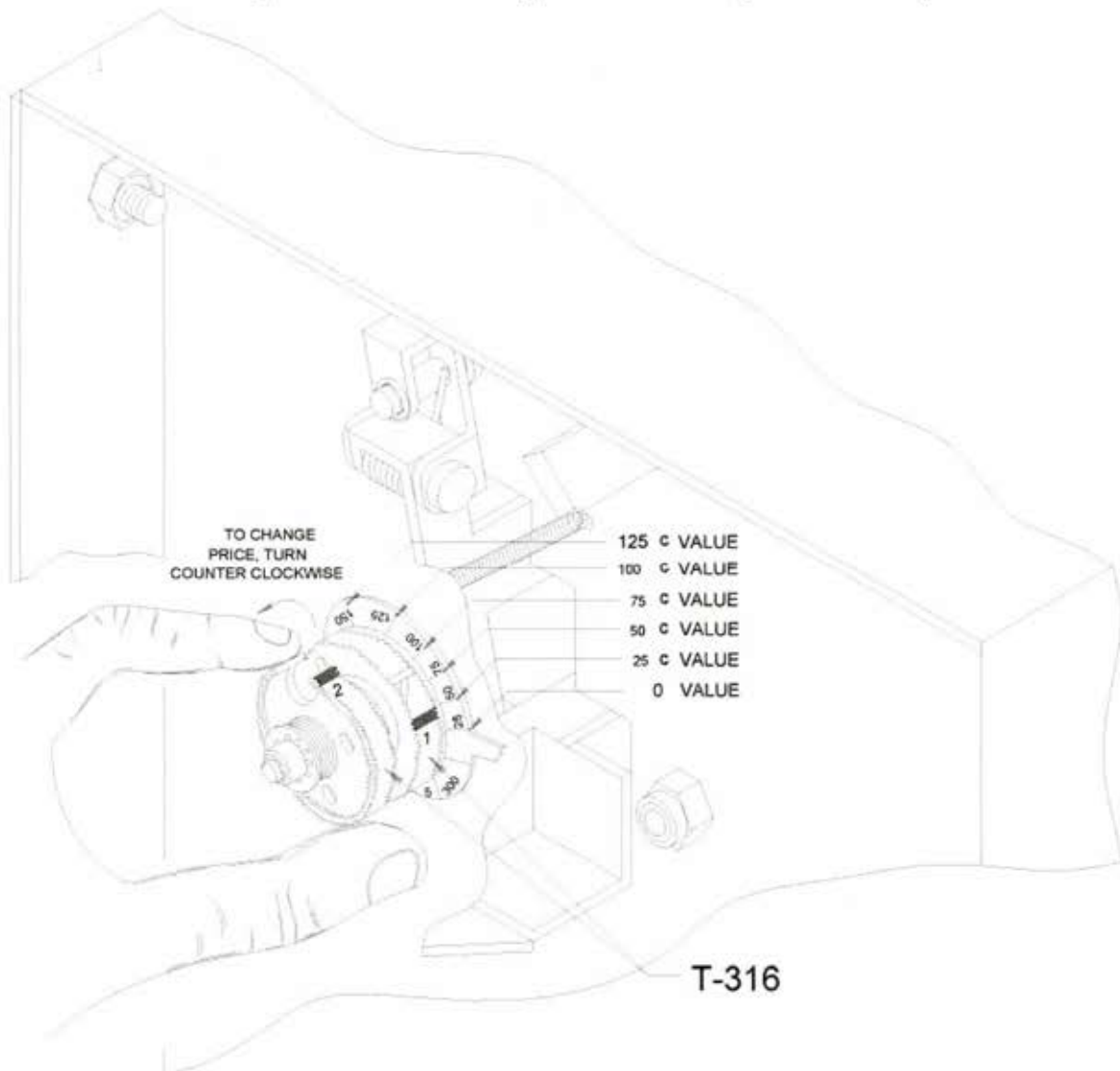


\$3.00 Wheel Mech

"Door Opens For Less Money, Without Money or Will Not Open"



TO CHANGE your prices on the \$3.00 Wheel, turn the Wheels Counter Clockwise as shown above. Price Setter Wheel #1 (T-316) is the Daily Price and should always be set first before setting the Sunday Price Wheel #2 (T-316). The Price Range on the \$3.00 Wheel is \$.0 to \$3.00. The **OUTSIDE EDGE OF RED LINE** on the Wheel represents your price setting. The **First Black Line** is "0" Value and each click is a \$.05 Value. **Black Lines** indicate an increase of \$.25. Price Setter Wheel #1 (T-316) shows a price of \$.25 above. Price Setter Wheel #2 (T-316) is the Sunday Price and should be adjusted in the same way as the Daily Price Setter Wheel. Make sure to pull Wheel #2 out from Wheel #1 and turn Counter Clockwise to your desired Sunday setting as shown above. **NOTE: IF MOVING WHEEL #1 (DAILY PRICE) WHILE ADJUSTING WHEEL #2 (SUNDAY PRICE) YOUR DAILY SETTING WILL BE CHANGED.**